

FitRx[™] PRO

precision multi-angle massager



tzumi®



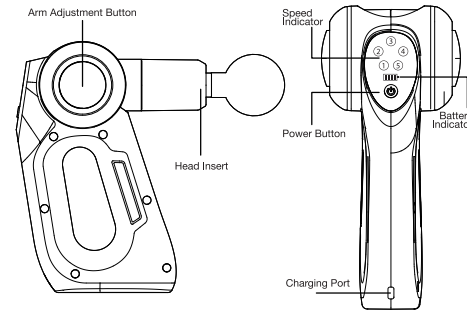
FitRx Pro Massager Manual

The FitRx Pro is a practical handheld massager that can relieve the body's soreness through deep and powerful muscle massage. It restores the body tissue, promotes muscle repair, and enhances the blood flow with five signature speed adjustments. It includes four ergonomic massage heads that cater to every muscle group for a comfortable and effective massage experience. The handheld lightweight massager has a rotating arm that can easily be adjusted making it easy to use from different angles.

Package Contents

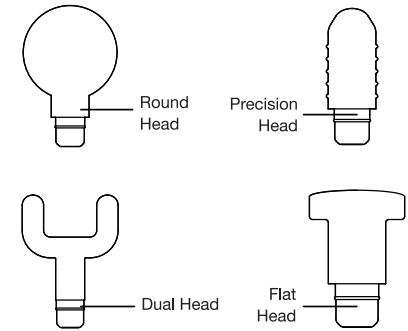
- Massager
- Adapter + Type C Cable
- Four Massage Heads: Round, Flat, Precision, and Dual
- Manual
- Case

Product Overview & Functions



- Relieves the body's sore and aching muscles through deep muscle massage
- Restores the body tissue, promotes muscle repair, and enhances blood flow
- Battery and speed indicators
- Ergonomically designed handle can easily be adjusted for a comfortable experience

Four Ergonomic Massage Heads for Every Muscle Group



Round Head: Arm, waist, hip, thigh, calf, and other large muscle groups

Flat Head: Neck, spine, and achilles tendon

Precision: Deep tissue such as joints, palms and plantar

Dual: Relaxes and shapes various muscle parts

User Instructions

- Select the massage head you would like to use and insert it in the round hole in front of the massager.
- Press and hold the ON button to turn the massager ON, it will start at the lowest speed.
- To increase the speed of the massager, press the power button.
- Each press on the button will increase the frequency of your massage up to level 5 max.
- Press the power button again to stop the massager and go into standby mode.
- Press and hold the power button for 3 seconds to turn the massager OFF.
- * After five minutes of non-use, the message gun will automatically power OFF.

Charging Instructions

- The battery should be fully charged prior to use.
- To charge the battery, plug in the Type C cable into the charging port and the other end into a USB power source.
- When the unit is charging, the battery indicator will flash.
- When the battery is fully charged, the battery indicator will light up.
- The average running time of the massager is 120 minutes depending on speed and pressure levels.

Adjusting the Massage Angle

- Turn the massager off before adjusting the arm angle.
- Press and hold the arm adjustment button, adjust the massage arm to the desired position and release the button.
- There are three angle adjustment options 0, 45 and 90.

How to Maintain The Muscle Massage Gun

- To keep this device in its pristine condition, wipe its surface with a slightly damp towel and dry it with a soft cloth.
- Keep the device away from liquids and heat.

Specifications

- Battery Type: Lithium Ion Battery
- Battery Capacity: 11.1V, 2000mAh/22.2wh
- No-load speed: 1200-3200rpm/min
- Stroke length: 6.5-8mm
- Charging Time: 180 mins
- Working Time: 6 hrs
- Input: 5V/2A

Speed Frequency

- 1st speed - 1200 rpm
- 2nd speed - 1800 rpm
- 3rd speed - 2200 rpm
- 4th speed - 2600 rpm
- 5th speed - 3200 rpm

Safety Instructions

To reduce the risk of electric shock, fire and injury follow these instructions carefully:

1. This device is recommended for use by adults only.
2. Do not use the massager directly on the surface of your skin. To avoid injury, the massaged area should be covered by clean clothes or a dry towel.
3. Gently press and move the massager; do not massage the same part of the body for more than 60 seconds.
4. Use high speed on soft body tissue only. Do not use high speed and pressure on the head, bones, and joints.
5. Always choose the right massage head for the respective body part.
6. Frequent use of high pressure may cause abrasions. If you experience pain or discomfort stop using the massager immediately.
7. The massager should not be submerged in water.
8. Do not open, take apart or modify the massager.
9. Do not charge or leave the device ON unattended.

Disclaimer

Read the instructions carefully before using the massager. The use of this equipment is subject to following its instructions closely. Tzumi is not liable for any damage or loss caused by inappropriate use of this device.

Do not use this massager without the approval of your doctor if you are: pregnant, diabetic, have a pacemaker, recovering from surgery, suffer from migraines, neuropathy disorders, disc protrusion or spinal inflammation. If you feel pain or discomfort while using the massager stop using it immediately and consult your doctor or physiotherapist.

FitRx[™]

tzumi® FitRx Muscle Massage Gun Item No. 7610, Distributed by tzumi Inc. NY, NY, 10016.
©Copyright 2020 tzumi Inc. All Rights Reserved. Made In China. All other trademarks and tradenames are the property of their respectful owners. All pictures shown are for illustration purpose only.
Actual product may vary due to product enhancement. Subject to change without prior notice.