

POCKET JUICE™

MULTI-FUNCTION EMERGENCY RADIO

1,000mAh USB



AM, FM, NOAA RADIO
BRIGHT LED FLASHLIGHT
CHANNEL & POWER DISPLAY
PORTABLE CHARGER

tzumi®

USER MANUAL

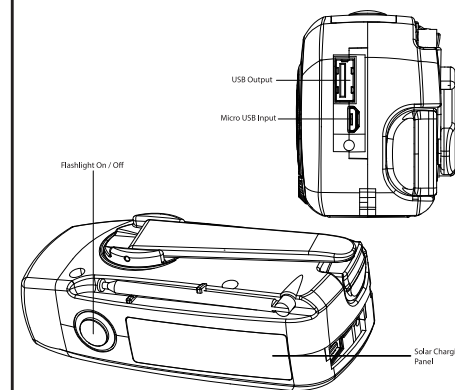
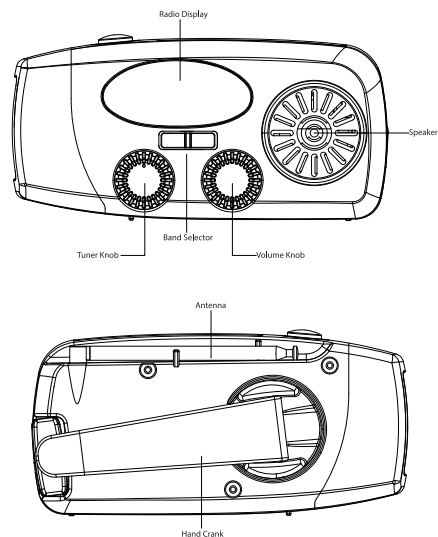
Introduction

The multi-function emergency radio is a functional device with multiple capabilities. It has a flashlight and is always ready to use thanks to its solar panel, hand crank and micro USB charging capability. The handy flashlight can be used in emergency and survival situations to light up dark areas. It also charges compatible USB devices such as mobile phones to keep you connected and powered in emergencies. The AM/FM/NOAA weather channel functionality keeps you connected to the latest news and weather updates to ensure safety and preparedness while the FM radio can keep you entertained with the latest music.

Package Contents

- Radio
- USB cable
- User guide

Diagram



Features

- AM/FM/NOAA radio receiver gets the latest news, music, and weather updates.
- Handy flashlight with bright LED provides needed light in emergencies.
- The radio can be charged via the solar panel, hand-crank, and USB cable.
- Charges compatible USB devices i.e. mobile phones and MP3 players

User Instructions

Operating the Radio

- Turn the volume dial clockwise to turn the radio ON and set the desired volume
- Select AM/FM/WB radio band
- Turn the tuner dial to lock in the desired frequency
- The green tuner light will indicate when a good connection has been established with the station

Note: For better reception extend the radio antenna

Using the Flashlight

- Press the flashlight button to turn it ON
- Press the flashlight button again to turn it OFF

Charging the Radio

A. Solar Power

- The radio has a built-in solar power panel on the top
- Place the radio under the sunlight for an average of 10-12 hours
- The red power indicator will illuminate when charging.

B. Handcrank

- Lift the hand crank, hand crank either clockwise or anti-clockwise
- The red light will illuminate to indicate the battery is being charged
- Hand crank for 5 minutes to produce 10-15 minutes of light or radio usage with medium volume.

Note: If the unit has been idle for more than a month you may need to hand crank either clockwise or anti-clockwise for 3-5 minutes to activate the internal battery

C. USB Charging

- Insert one end of the included charging cable into the micro USB jack and the other end into the computer/USB power source
- Charging time is approximately 3-4 hours
- The red power indicator will flash while charging and will stay red when the radio is fully charged

Note: In case of overload or short circuit, the battery safety measures will cut off power automatically

Charging your Mobile Phone, or MP3 player

- To charge compatible devices i.e. mobile phones or MP3 players, lift the rubber tab on the side of the unit
- Insert one end of the charging cable into the standard USB port and the other end to the external device that needs to be charged

Troubleshooting

The unit will not power up

- Make sure it is fully charged prior to use.
- In case the unit is not used for a long period of time, a charge or cranking for 3-5 minutes may be needed to activate the battery

The weather band reception is poor

- Weather band reception can be poor inside a metal building/structure or where electronic noise is present. Try moving outside to improve reception.
- Check local reception by moving to a different location and testing the weather band reception.

Specifications

- Radio bands frequency range: AM 520~1710 KHz, FM 87~108 MHz, NOAA 162.400~162.550 MHz
- Working Voltage: 2.7V-4.2V
- Charging Capability: Solar/Hand-Crank/USB cable
- Power Source: 1000mAh lithium polymer battery
- Maximum Power Consumption: 0.5 W
- Approx. Weight: 230g

Battery Disposal

This product contains a lithium polymer battery. Lithium polymer batteries are environmentally safe when fully discharged. You cannot dispose this product along with household waste. It must be disposed of safely at a hazardous waste collection site, recycling facility or an electronic retailer that recycles. Check your local or state laws for disposal procedures.

Safeguards

- To maintain the solar panel, wipe its surface with a standard lens cleaning product.
- Do not clean the unit with harsh abrasive detergents or solvents.
- This unit is not fully waterproof do not submerge it in water.
- If the unit is idle for a month or more charge it for 3-5 minutes using the hand crank or solar panel to activate its internal battery first

tzumi®
live awesome.

Pocket Juice Multi-Function Emergency Radio ©Copyright 2020 All Rights Reserved. Made in China. All other trademarks and tradenames are the property of their respectful owners. iPhone not included. All pictures shown are for illustration purpose only. Actual product may vary due to product enhancement. Subject to change without prior notice.